



US00D720042S

(12) **United States Design Patent**
Walsh

(10) **Patent No.:** **US D720,042 S**

(45) **Date of Patent:** **** Dec. 23, 2014**

- (54) **VALVE STEM**
- (71) Applicant: **Eco-Burner Products Limited,**
Waterford (IE)
- (72) Inventor: **Brian Walsh,** Waterford (IE)
- (73) Assignee: **Eco-Burner Products Limited,**
Waterford (IE)
- (**) Term: **14 Years**
- (21) Appl. No.: **29/464,599**
- (22) Filed: **Aug. 19, 2013**
- (51) **LOC (10) Cl.** **23-01**
- (52) **U.S. Cl.**
USPC **D23/233**
- (58) **Field of Classification Search**
CPC .. B60C 1/00; B60C 2001/00; B60C 2200/00;
B05B 1/00; B05B 2012/00
USPC D23/233-237, 244-249; 277/549;
137/223, 224, 226, 230; 222/402.1,
222/402.25, 402.11, 402.2, 402.21, 402.22,
222/402.23, 402.24, 402.16; 138/33;
239/107, 337, 573, 579; 141/20;
152/427, 429
See application file for complete search history.

3,512,720	A *	5/1970	Platt	239/490
3,618,832	A *	11/1971	Webster	222/402.16
3,711,031	A *	1/1973	Ewald	239/601
3,827,608	A *	8/1974	Green	222/402.16
3,830,412	A *	8/1974	Green	222/402.24
3,838,822	A *	10/1974	Ewald	239/596
3,915,390	A *	10/1975	Green	239/573
4,019,687	A *	4/1977	Green	239/573
4,585,226	A *	4/1986	LaBate	271/264
5,137,180	A *	8/1992	Kieras	222/108
5,221,063	A *	6/1993	Wafer et al.	251/330
5,522,548	A *	6/1996	Gallien et al.	239/337
D404,464	S *	1/1999	Niemczyk	D23/233
D413,374	S *	8/1999	Tine, Jr.	D23/233
D470,221	S *	2/2003	Niemczyk	D23/233
7,357,158	B2 *	4/2008	Yerby et al.	141/9

(Continued)

Primary Examiner — Cynthia Ramirez

Assistant Examiner — Gino Colan

(74) Attorney, Agent, or Firm — Michael G. Crilly, Esq.

(57) **CLAIM**

The ornamental design for a valve stem, as shown and described.

DESCRIPTION

FIG. 1 is a perspective view of a valve stem showing my new design, said valve stem being shown mounted at a top of a pressurized gas container shown in broken outline which does not form part of the design;

FIG. 2 is a perspective side view of the valve stem;

FIG. 3 is a perspective end view of the valve stem;

FIG. 4 is an enlarged perspective view of the valve stem;

FIG. 5 is an enlarged plan view of the valve stem; and,

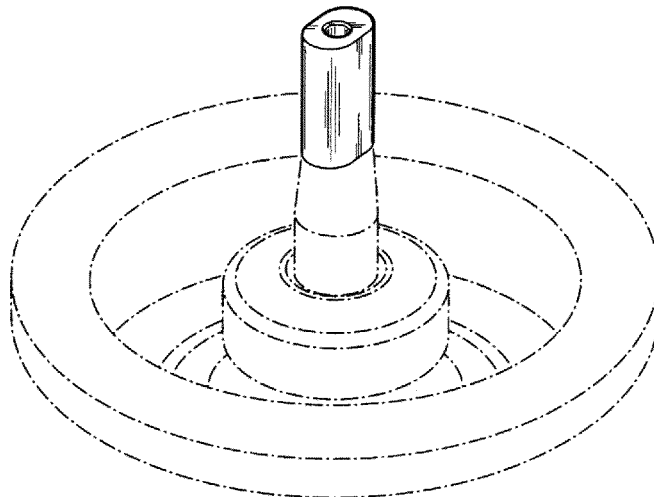
FIG. 6 is a perspective view of the valve stem according to the design, said valve stem being shown incorporated in an adapter for mounting at a top of a pressurized gas container shown in broken outline which does not form part of the design.

1 Claim, 5 Drawing Sheets

(56) **References Cited**

U.S. PATENT DOCUMENTS

2,242,569	A *	5/1941	Crowley	152/429
3,054,536	A *	9/1962	Sagarin	222/402.2
3,085,753	A *	4/1963	Braun et al.	239/337
3,266,678	A *	8/1966	Green	222/402.24
3,269,616	A *	8/1966	West	222/402.24
3,292,827	A *	12/1966	Frangos	222/402.24
3,317,140	A *	5/1967	Smith	239/107
3,346,195	A *	10/1967	Groth	239/337
3,482,784	A *	12/1969	Webster	239/493



(56)

References Cited

U.S. PATENT DOCUMENTS

D576,254 S *	9/2008	McBroom	D23/233	D685,877 S *	7/2013	Nemoto	D23/233
D627,433 S *	11/2010	Gaudron	D23/233	D690,391 S *	9/2013	Garm et al.	D23/233
8,245,747 B2 *	8/2012	Monjuvent et al.	152/427	D706,904 S *	6/2014	Faraon Chaul Huerta ...	D23/233
8,402,988 B2 *	3/2013	Campau	137/226	2004/0237733 A1 *	12/2004	Lewis	81/461
				2008/0277501 A1 *	11/2008	Everett et al.	239/337

* cited by examiner

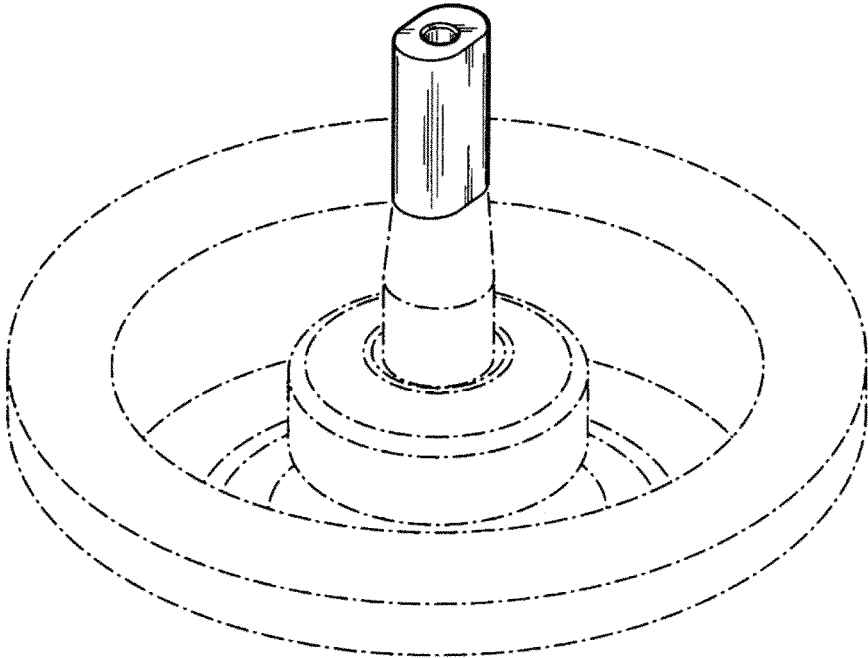


Fig. 1

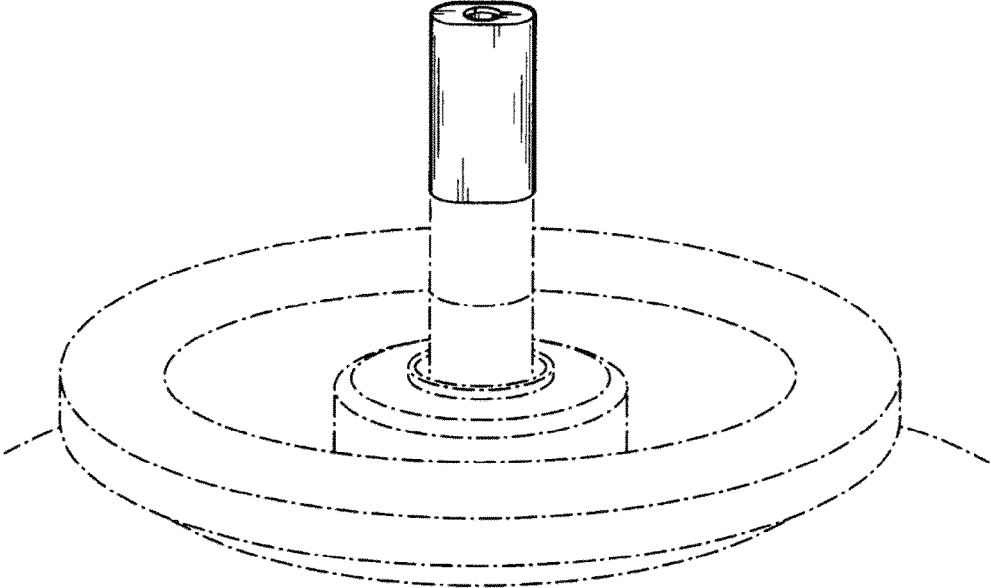


Fig. 2

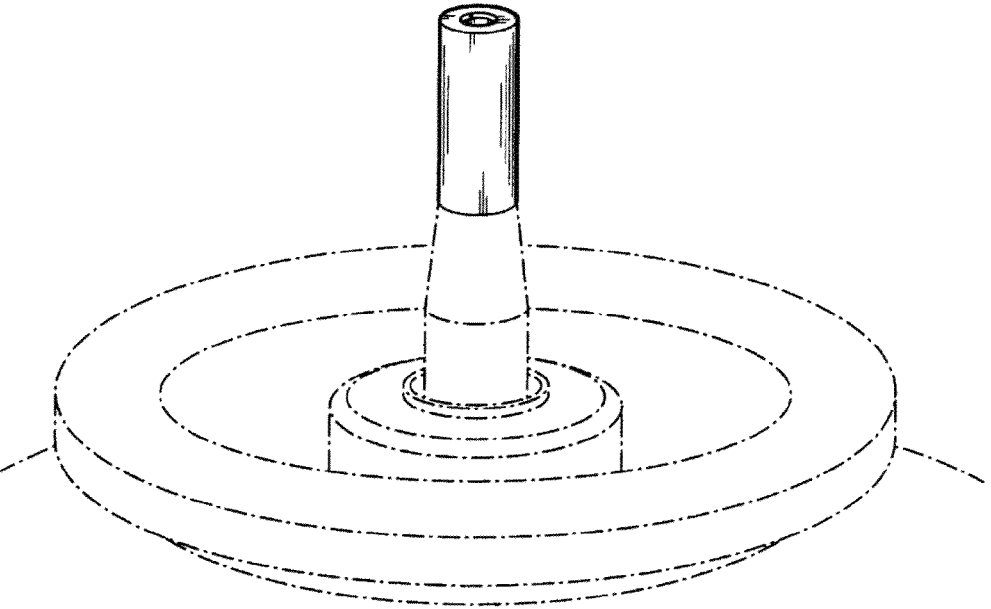


Fig. 3

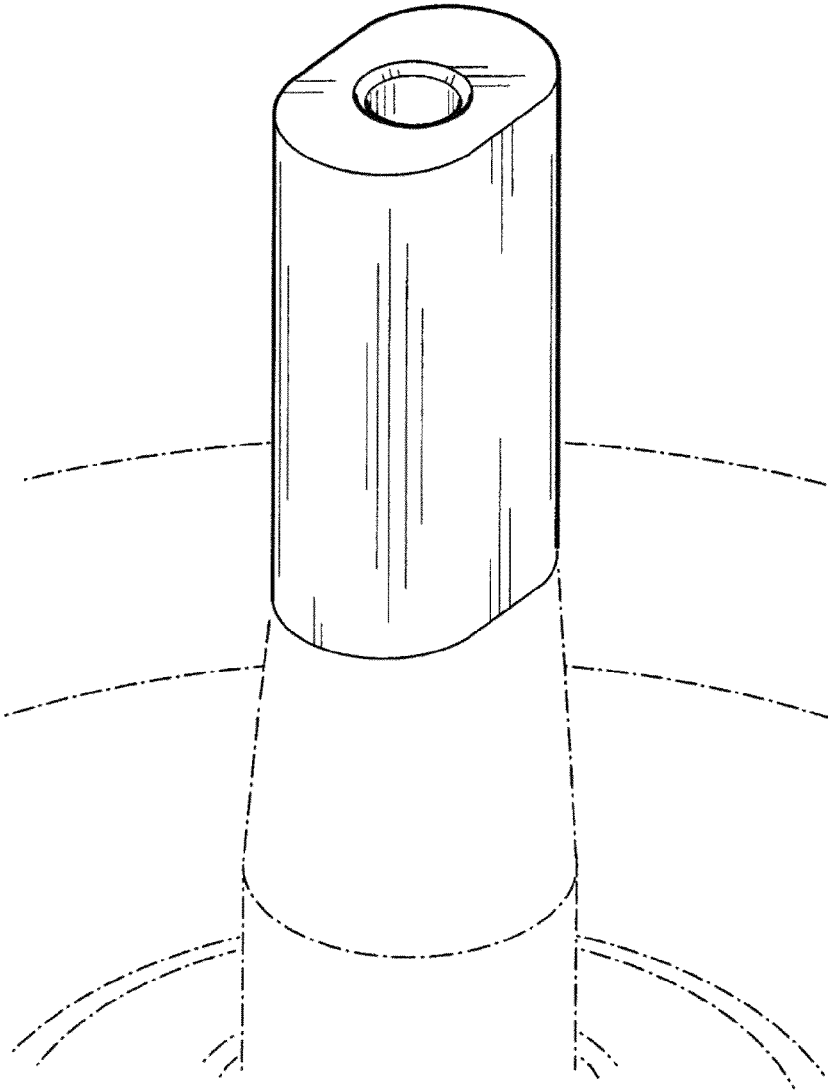


Fig. 4

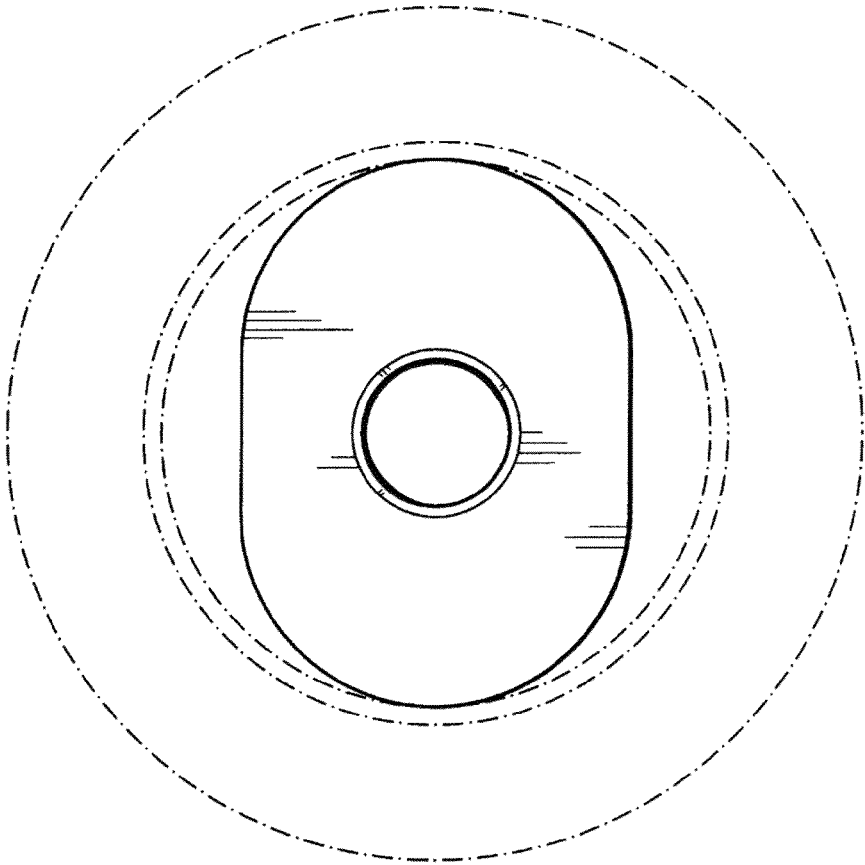


Fig. 5

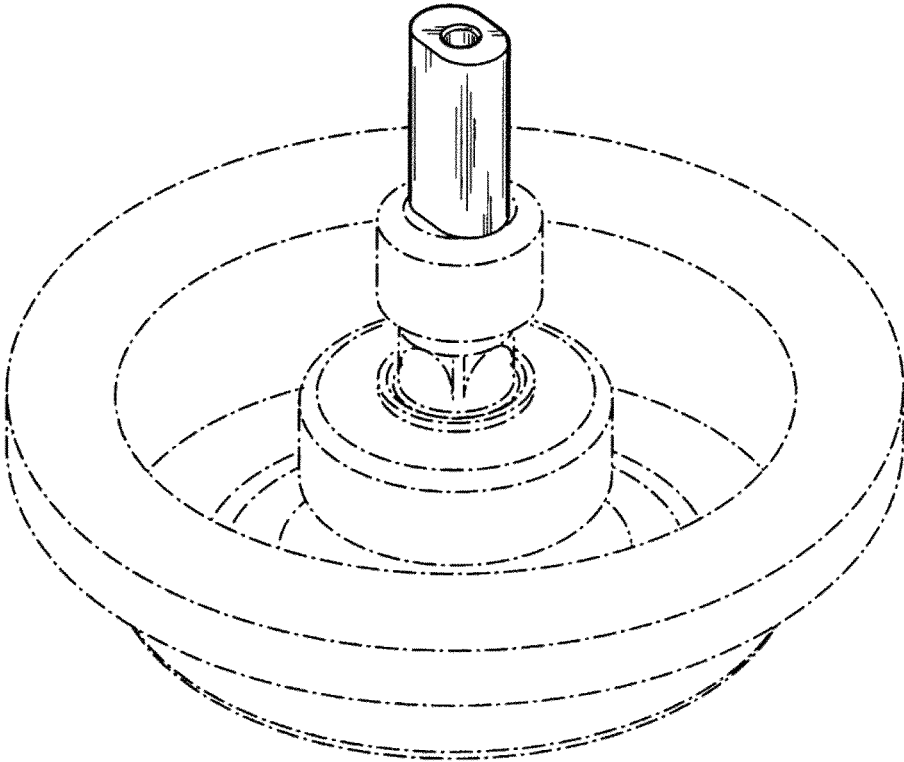


Fig. 6