



US00D755309S

(12) **United States Design Patent Stack**

(10) **Patent No.:** **US D755,309 S**

(45) **Date of Patent:** **** May 3, 2016**

- (54) **ELASTIC BAND LAUNCHER**
- (71) Applicant: **Super Impulse USA, LLC**, Bristol, PA (US)
- (72) Inventor: **Benjamin A. Stack**, Broomall, PA (US)
- (73) Assignee: **Super Impulse USA, LLC**, Bristol, PA (US)
- (**) Term: **14 Years**
- (21) Appl. No.: **29/525,567**
- (22) Filed: **Apr. 30, 2015**
- (51) **LOC (10) Cl.** **21-01**
- (52) **U.S. Cl.**
USPC **D21/570**
- (58) **Field of Classification Search**
USPC D21/567, 570, 573, 574; D22/100, D22/104-106; 124/18, 19, 21, 22
CPC F41B 7/02; F41B 7/025; F41B 7/08
See application file for complete search history.

2,001,267 A	5/1935	Ross
2,004,531 A	6/1935	Leonard
2,008,595 A	7/1935	Reed
2,021,776 A	11/1935	Hagen
2,059,062 A	10/1936	Tomita et al.
2,065,580 A	12/1936	Grawunder
2,098,001 A	11/1937	Gagnon et al.
2,248,424 A	7/1941	Coker
2,284,512 A	5/1942	Claytor et al.
2,289,490 A	7/1942	Fisher
2,334,332 A	11/1943	Johnson
2,462,723 A	2/1949	Crnich
2,529,047 A	11/1950	Paul
2,535,891 A *	12/1950	Bozarth F41B 7/025 124/18
2,550,873 A	5/1951	Siders
2,573,142 A	10/1951	Herring
2,576,248 A	11/1951	Wright et al.
2,578,198 A	12/1951	Muggli
2,610,619 A	9/1952	Mikkelsen, Jr.

(Continued)

Primary Examiner — Cynthia M Chin
(74) *Attorney, Agent, or Firm* — Michael G. Crilly, Esquire

(57) **CLAIM**
The ornamental design for an elastic band launcher, as shown and described.

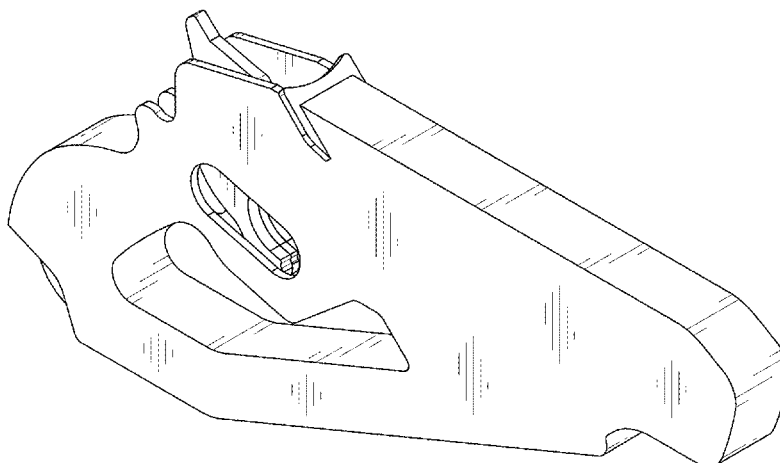
(56) **References Cited**
U.S. PATENT DOCUMENTS

1,461,119 A	7/1923	Harris
1,572,350 A	2/1926	Ecker
1,724,271 A	8/1929	Fisher
1,724,708 A	8/1929	Harris
1,748,215 A	2/1930	Fisher
1,759,084 A	5/1930	Baum et al.
1,809,208 A	6/1931	McFarland
1,821,381 A	9/1931	Gerkin
1,826,053 A	10/1931	Carpenter
1,890,403 A	12/1932	Murdock
1,892,209 A	12/1932	Fisher
1,909,927 A	5/1933	Beauchamp et al.
1,935,287 A	11/1933	Damico
1,944,377 A	1/1934	Taylor

DESCRIPTION

FIG. 1 is a perspective view of an elastic band launcher showing my new design; FIG. 2 is a front view of the elastic band launcher of FIG. 1; FIG. 3 is a rear view of the elastic band launcher of FIG. 1; FIG. 4 is a side view of the elastic band launcher of FIG. 1, the opposite side being a mirror image; FIG. 5 is a top view of the elastic band launcher of FIG. 1; and, FIG. 6 is a bottom view of the elastic band launcher of FIG. 1. The broken lines represent portions of the article that form no part of the claim.

1 Claim, 4 Drawing Sheets



US D755,309 S

Page 2

(56)

References Cited

U.S. PATENT DOCUMENTS

<p>2,625,147 A</p> <p>2,676,581 A</p> <p>2,680,434 A</p> <p>2,689,558 A</p> <p>2,697,425 A</p> <p>2,730,094 A</p> <p>2,741,238 A *</p> <p>2,793,637 A</p> <p>2,878,802 A</p> <p>2,917,037 A</p> <p>3,119,385 A</p> <p>3,297,012 A *</p> <p>3,408,996 A</p> <p>3,437,084 A</p> <p>3,468,296 A *</p> <p>3,494,345 A</p> <p>3,515,387 A</p> <p>3,536,055 A *</p> <p>3,556,072 A</p> <p>3,618,584 A</p>	<p>1/1953</p> <p>4/1954</p> <p>6/1954</p> <p>9/1954</p> <p>12/1954</p> <p>1/1956</p> <p>4/1956</p> <p>5/1957</p> <p>3/1959</p> <p>12/1959</p> <p>1/1964</p> <p>1/1967</p> <p>11/1968</p> <p>4/1969</p> <p>9/1969</p> <p>2/1970</p> <p>6/1970</p> <p>10/1970</p> <p>1/1971</p> <p>11/1971</p>	<p>Eagleson, Jr.</p> <p>Moore</p> <p>Lodahl</p> <p>Sealer et al.</p> <p>McElveen</p> <p>Hicks</p> <p>Arnold F41B 7/025 124/19</p> <p>Daffer</p> <p>Kuch</p> <p>Henderson</p> <p>Ashley</p> <p>Kirkland F41B 7/025 124/18</p> <p>Lilleoren, Jr. et al.</p> <p>Hyter</p> <p>Duval F41B 7/025 124/19</p> <p>Griffiths</p> <p>House</p> <p>Endo F41B 7/025 124/18</p> <p>Levin</p> <p>Pigeon</p>	<p>3,693,609 A</p> <p>3,757,760 A</p> <p>3,812,833 A</p> <p>3,919,996 A</p> <p>D247,986 S *</p> <p>4,223,658 A</p> <p>4,308,850 A</p> <p>4,379,445 A</p> <p>4,436,077 A</p> <p>D274,922 S *</p> <p>4,552,365 A</p> <p>4,554,904 A *</p> <p>4,676,219 A</p> <p>4,800,864 A</p> <p>4,827,892 A</p> <p>4,949,494 A</p> <p>5,170,770 A</p> <p>5,205,266 A</p> <p>5,222,472 A</p> <p>5,460,150 A</p> <p>5,692,489 A</p> <p>7,690,371 B2</p> <p>8,607,771 B1</p> <p>D698,873 S *</p> <p>2013/0340734 A1</p>	<p>9/1972</p> <p>9/1973</p> <p>5/1974</p> <p>11/1975</p> <p>5/1978</p> <p>9/1980</p> <p>1/1982</p> <p>4/1983</p> <p>3/1984</p> <p>7/1984</p> <p>11/1985</p> <p>11/1985</p> <p>6/1987</p> <p>1/1989</p> <p>5/1989</p> <p>8/1990</p> <p>12/1992</p> <p>4/1993</p> <p>6/1993</p> <p>10/1995</p> <p>12/1997</p> <p>4/2010</p> <p>12/2013</p> <p>2/2014</p> <p>12/2013</p>	<p>Vodinh</p> <p>Darnell</p> <p>Skillern</p> <p>McAlister</p> <p>Clyde D21/574</p> <p>Sundstrom</p> <p>Hunter</p> <p>LoBiondo</p> <p>Smith</p> <p>Smith D21/574</p> <p>Smith</p> <p>Endo F41B 7/025 124/18</p> <p>Miller</p> <p>Small</p> <p>Vandermeide</p> <p>Mims</p> <p>Vostoh</p> <p>Kilby, Jr.</p> <p>Landingham</p> <p>Joppe</p> <p>Swanson et al.</p> <p>Slaven</p> <p>Marsh</p> <p>Overlie D21/574</p> <p>Coulston</p>
---	--	--	--	--	--

* cited by examiner

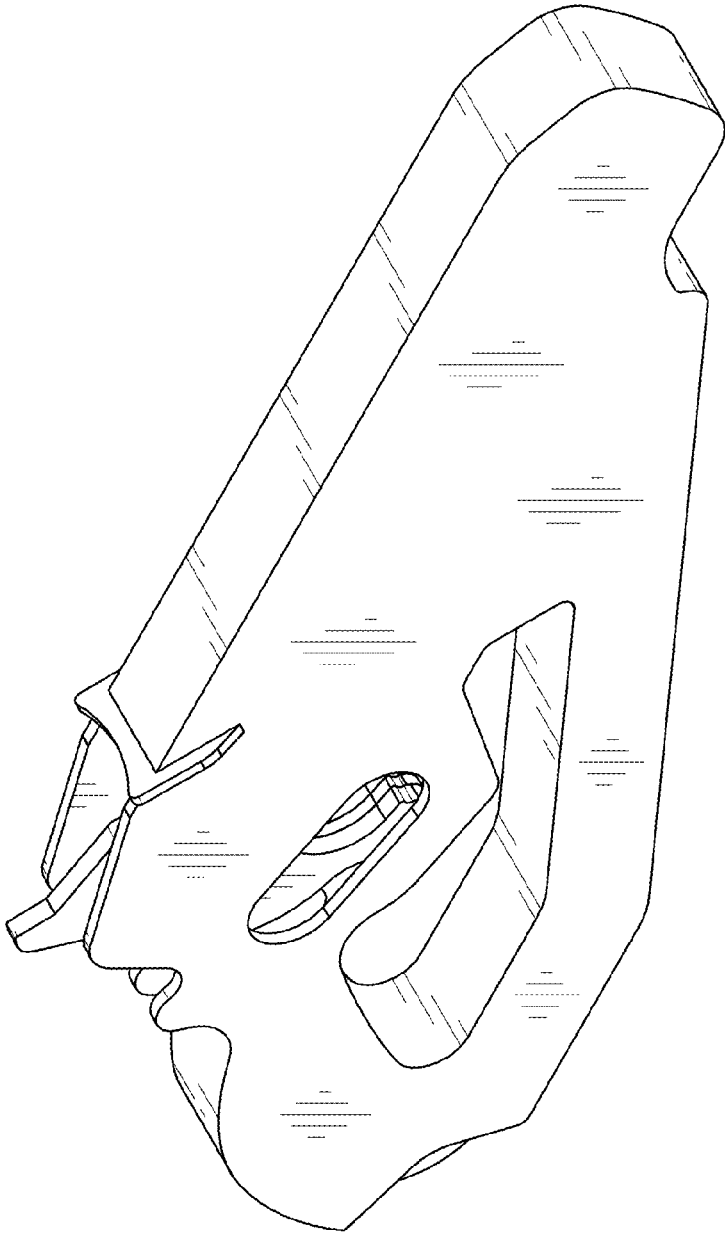


Fig. 1

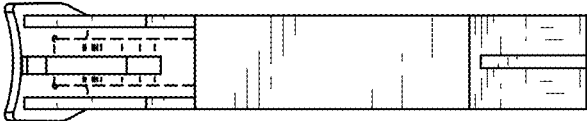


Fig. 3

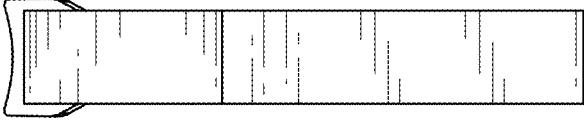


Fig. 2

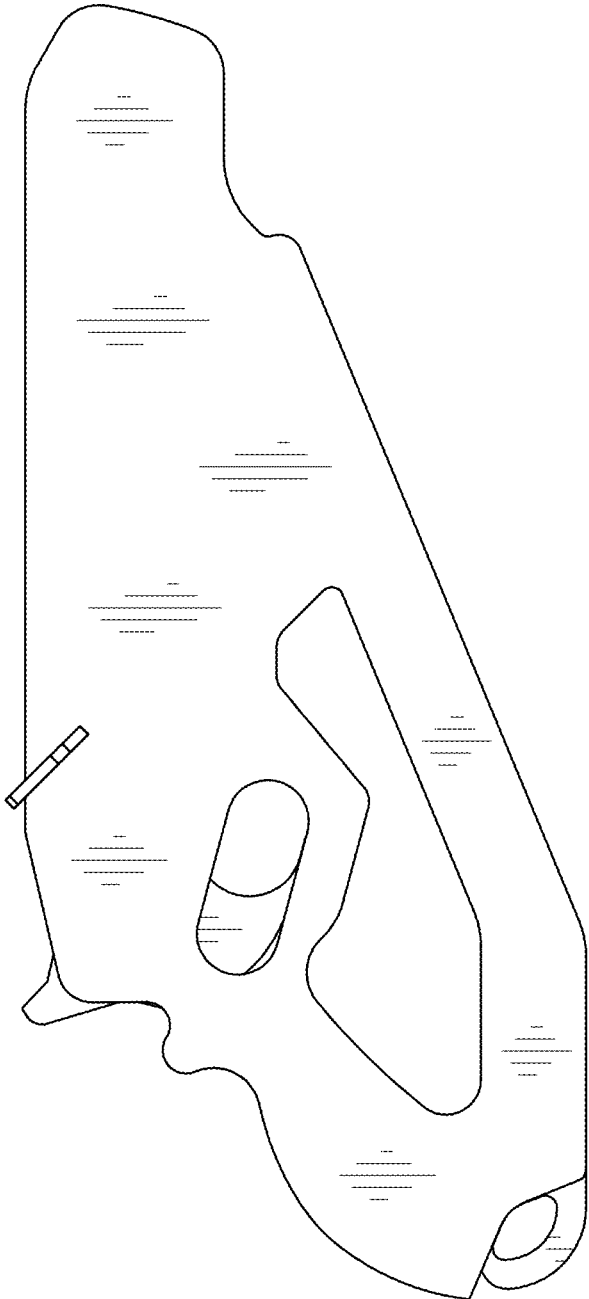


Fig. 4

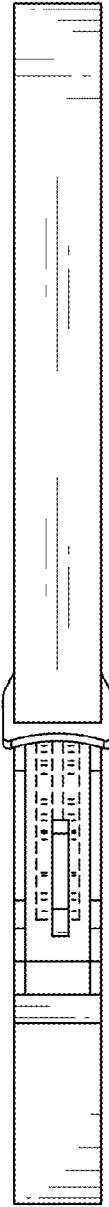


Fig. 5



Fig. 6